

8

7

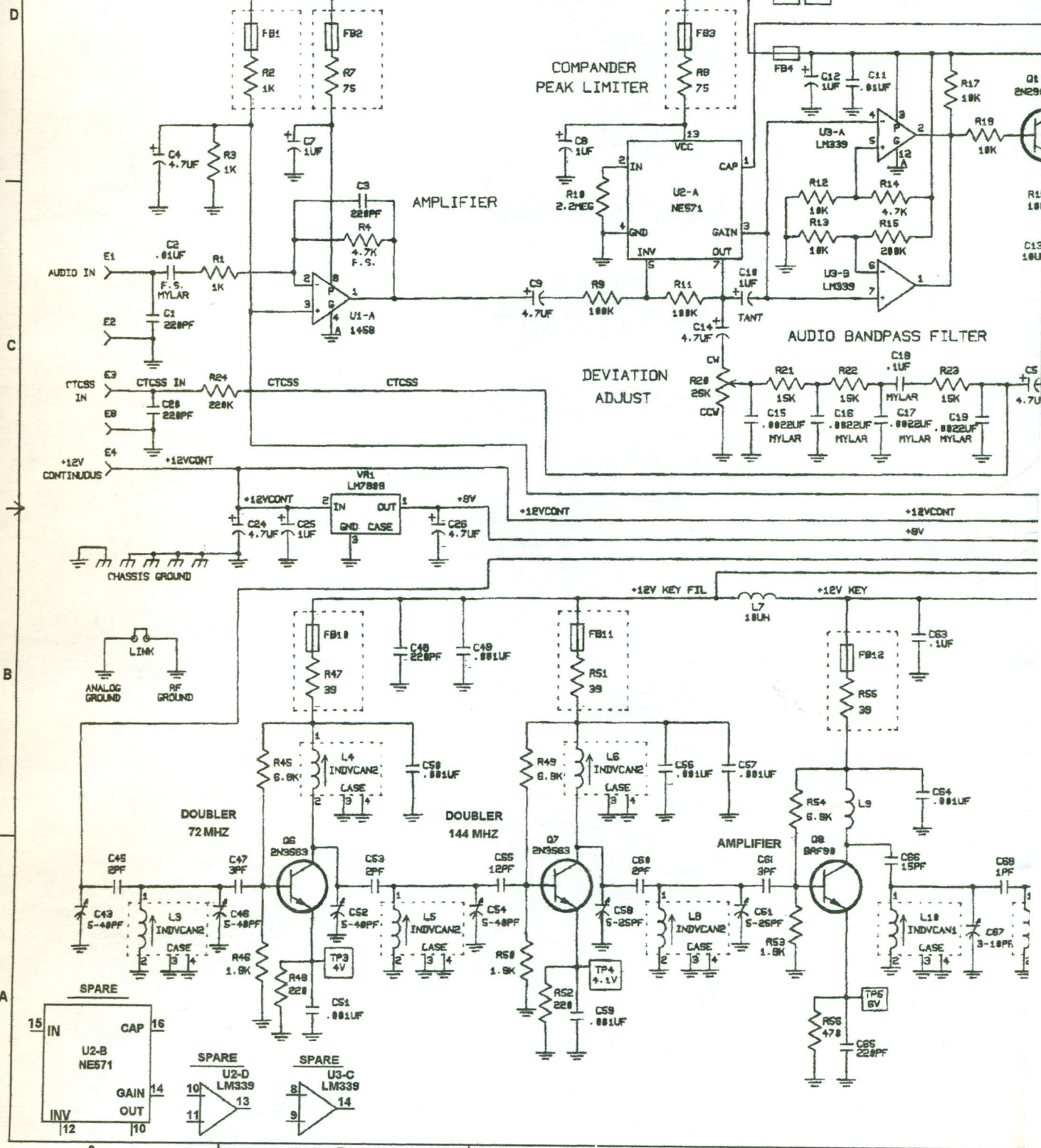
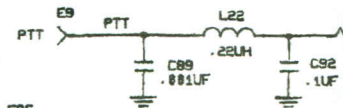
6

5

THESE DRAWINGS AND SPECIFICATIONS ARE THE PROPERTY OF ADVANCED COMMUNICATION SYSTEMS AND SHALL NOT BE REPRODUCED, COPIED OR USED AS THE BASIS OF MANUFACTURE OR SALE OF ANY APPARATUS WITHOUT EXPRESS WRITTEN AUTHORIZATION FROM ADVANCED COMMUNICATION SYSTEMS. NOTICE OF PROPRIETARY PROPERTY.

NOTES

1. ALL RESISTOR VALUES ARE IN OHMS UNLESS OTHERWISE SPECIFIED.
2. ALL CAPACITOR VALUES ARE IN MICRO-FARADS UNLESS OTHERWISE SPECIFIED.
3. ASSEMBLY DRAWING NUMBER IS: MT-458.
4. FABRICATION DRAWING NUMBER IS: MT-124.
5. PRINTED CIRCUIT BOARD PART NUMBER IS: MT-124.



8

7

6

5