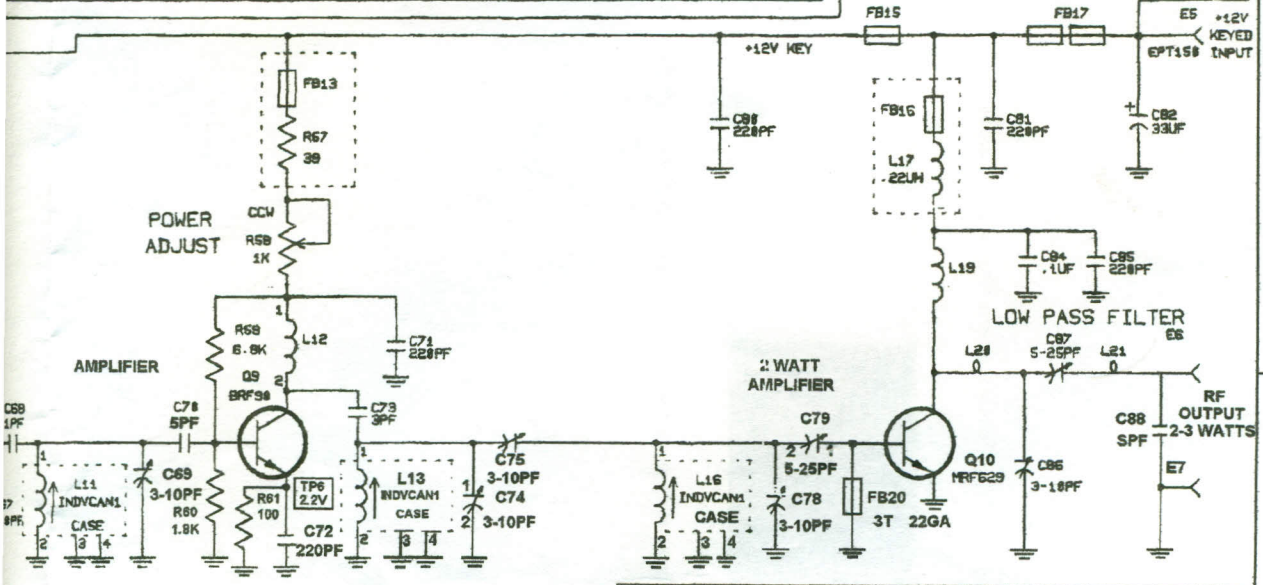
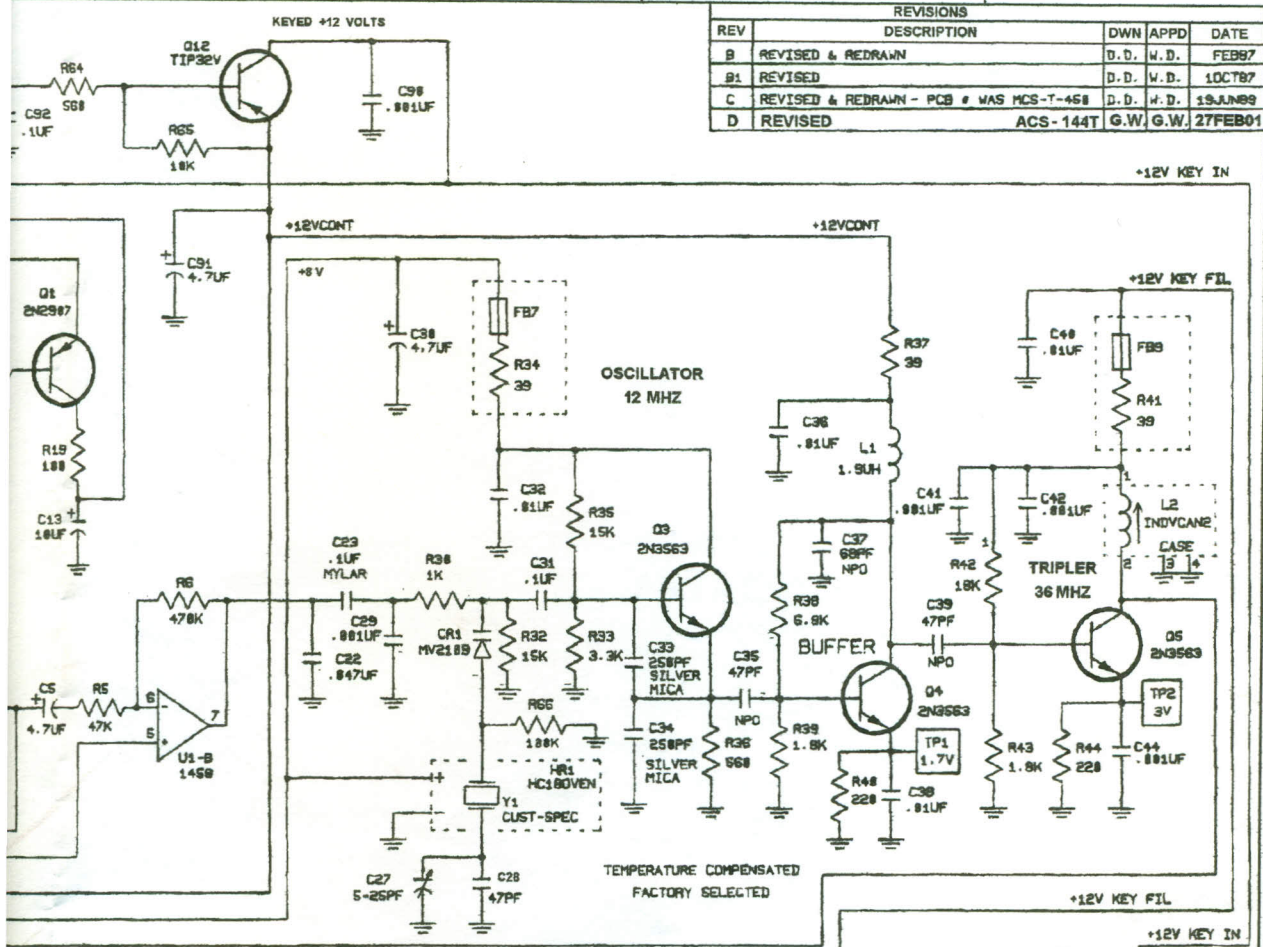


REVISIONS				
REV	DESCRIPTION	DWN	APPD	DATE
B	REVISED & REDRAWN	D. D.	W. D.	FEB87
B1	REVISED	D. D.	W. D.	10CT87
C	REVISED & REDRAWN - PCB # WAS MCS-T-458	D. D.	W. D.	19JUN89
D	REVISED	ACS-144T	G.W. G.W.	27FEB01



DRAWN DRAGONWYCK	DATE 15JUN89	Advanced Communication Systems 25 Elm Park Groveland, MA 01834	
CHECKED W. DEWHIRST	DATE 19JUN89	TITLE SCHEMATIC ACS-144T TRANSMITTER	
ENGINEER	DATE 19JUN89	SIZE D	DWG NO ACS-144T
ENG.MGR.	DATE 19JUN89	REV D	
PRODUCTION CHANGES-2/25/01	25FEB01	SCALE NONE	SHEET 10F 1